

NUMBER  
C-1775010

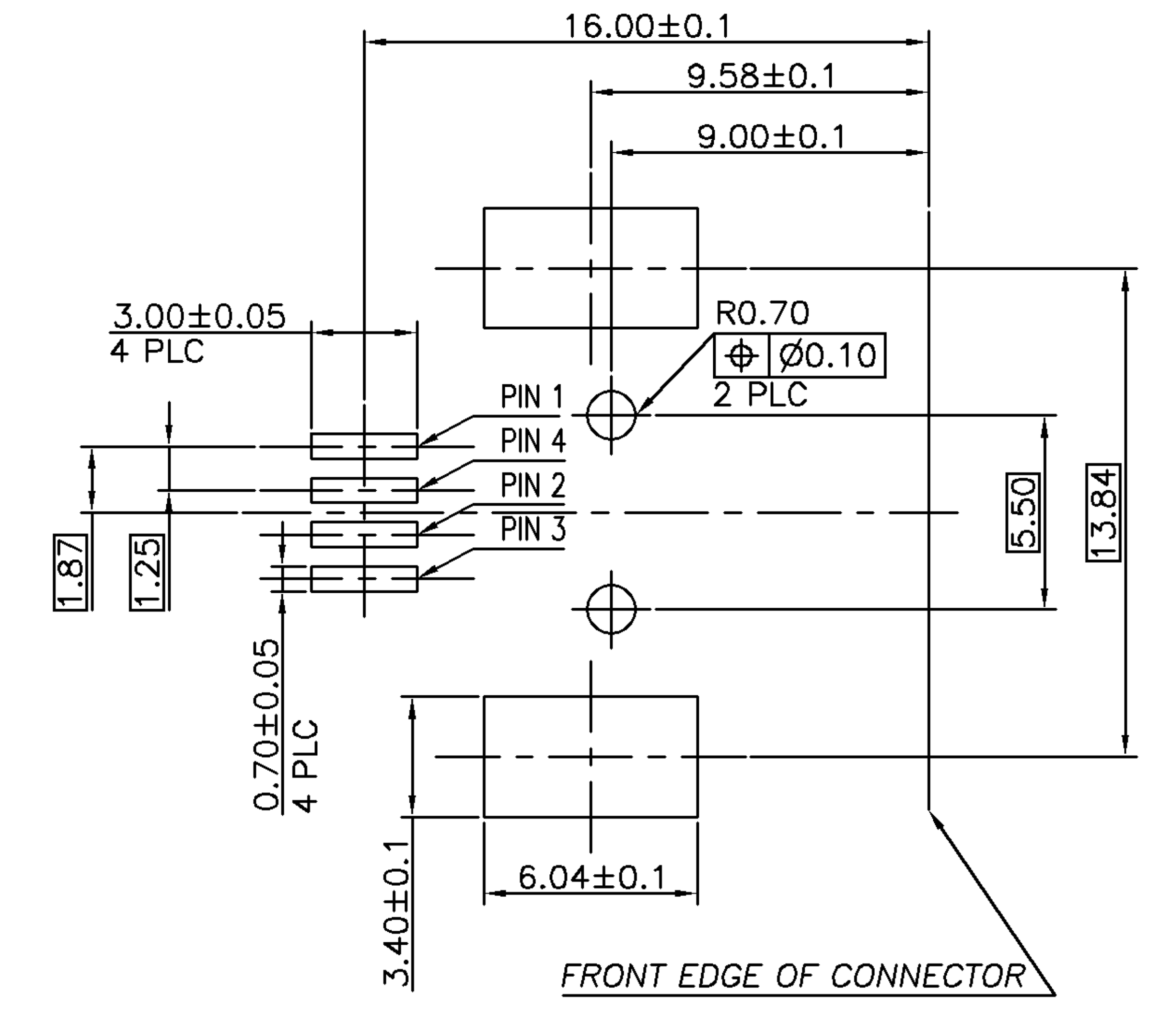
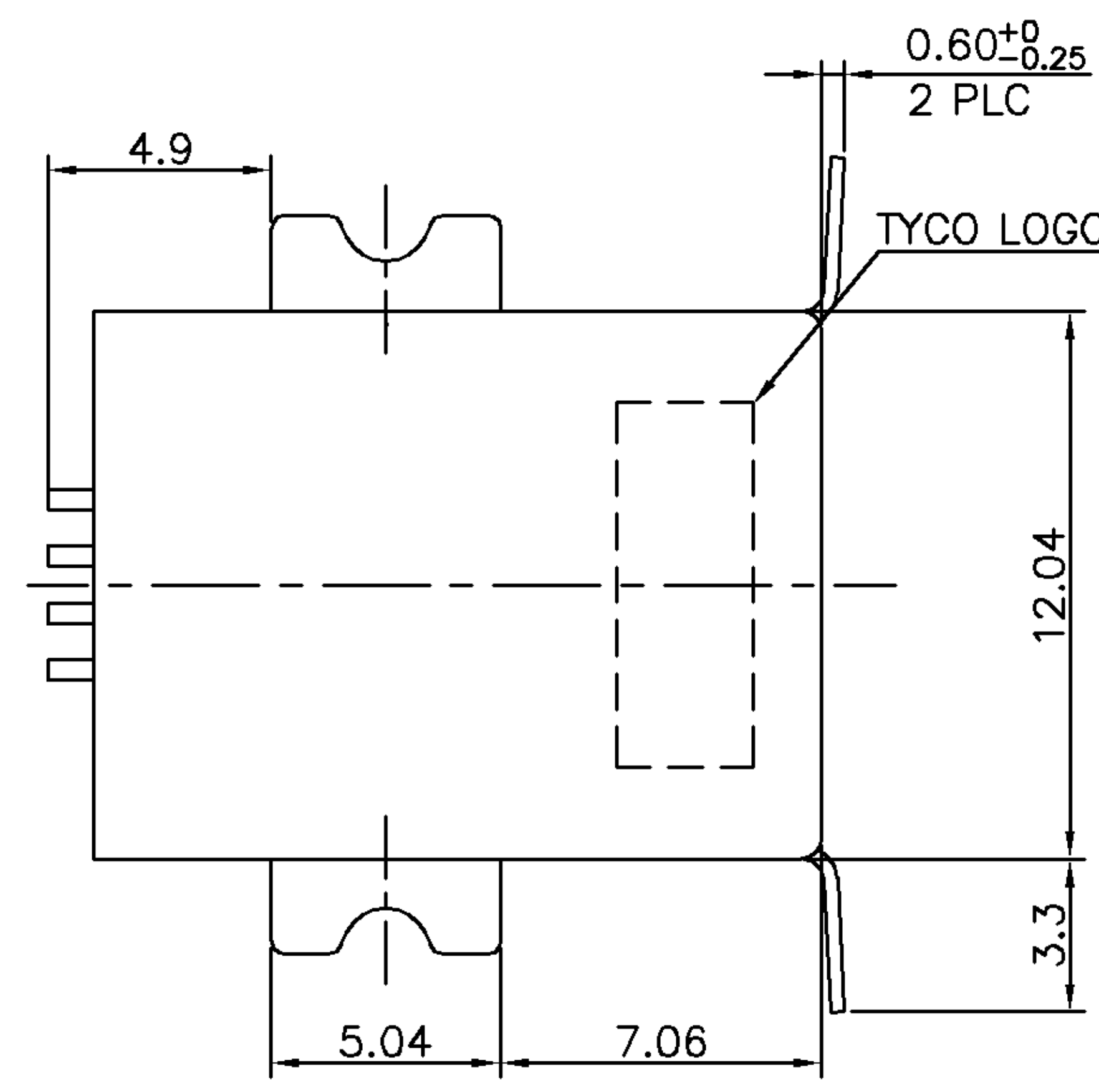


METRIC

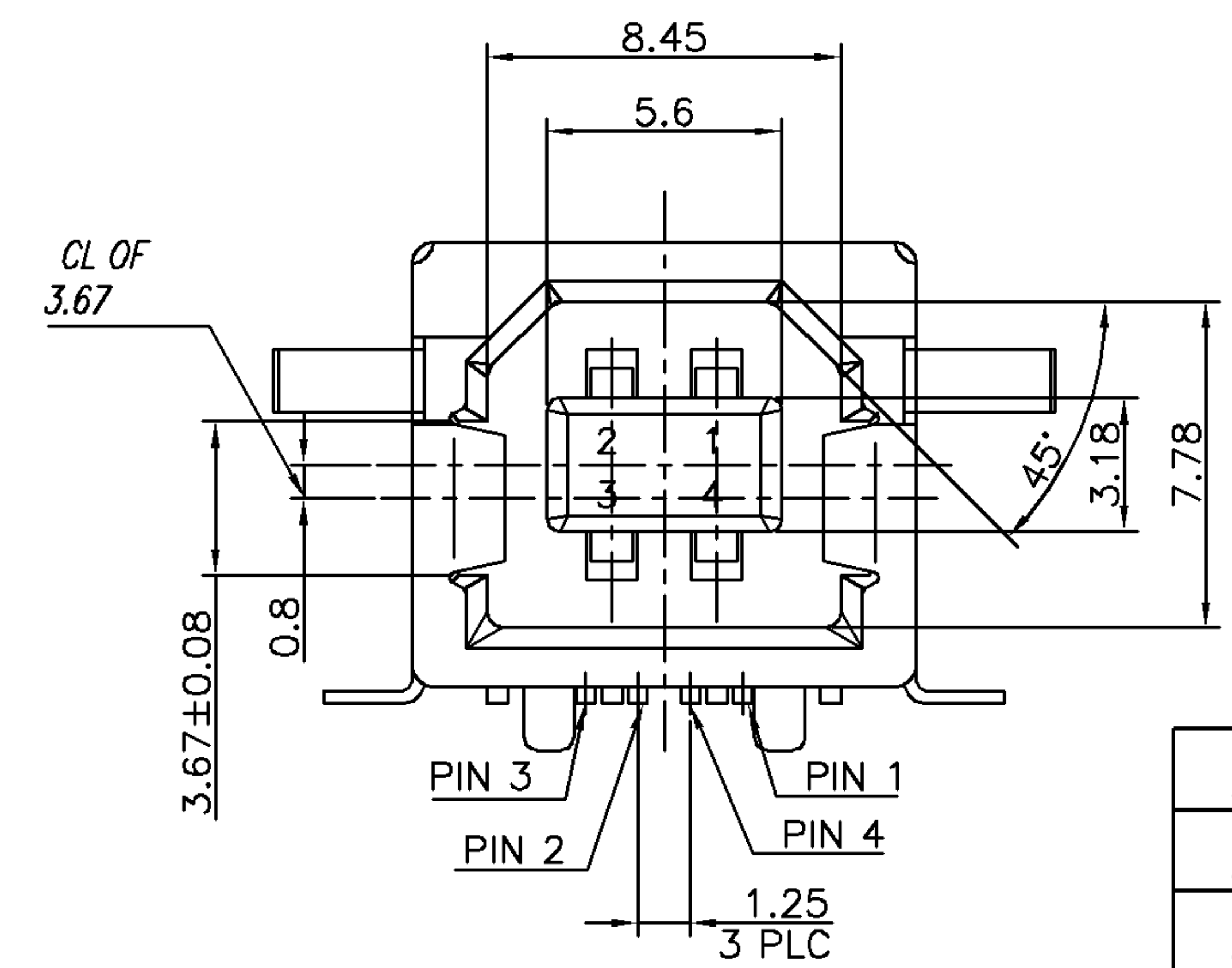
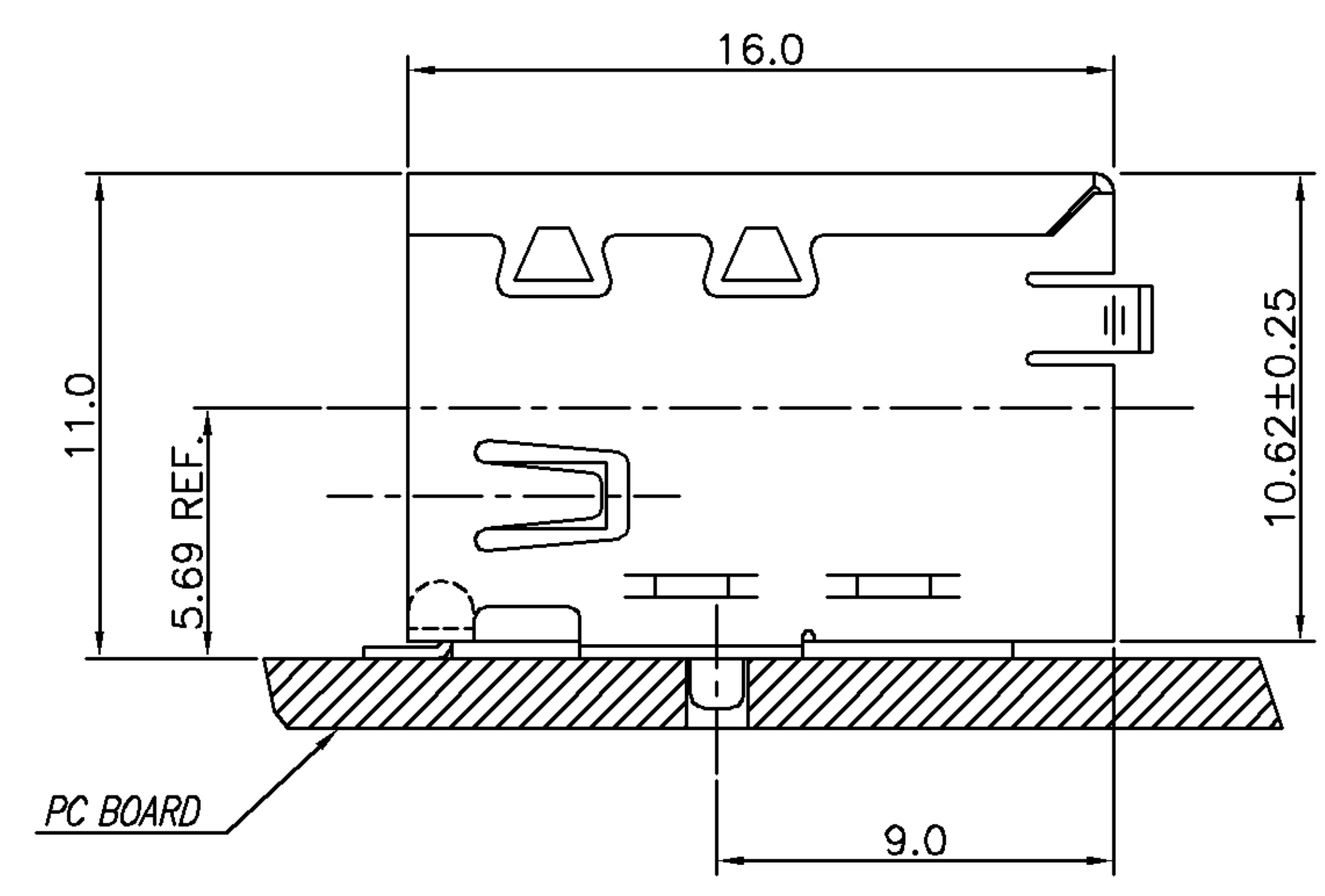
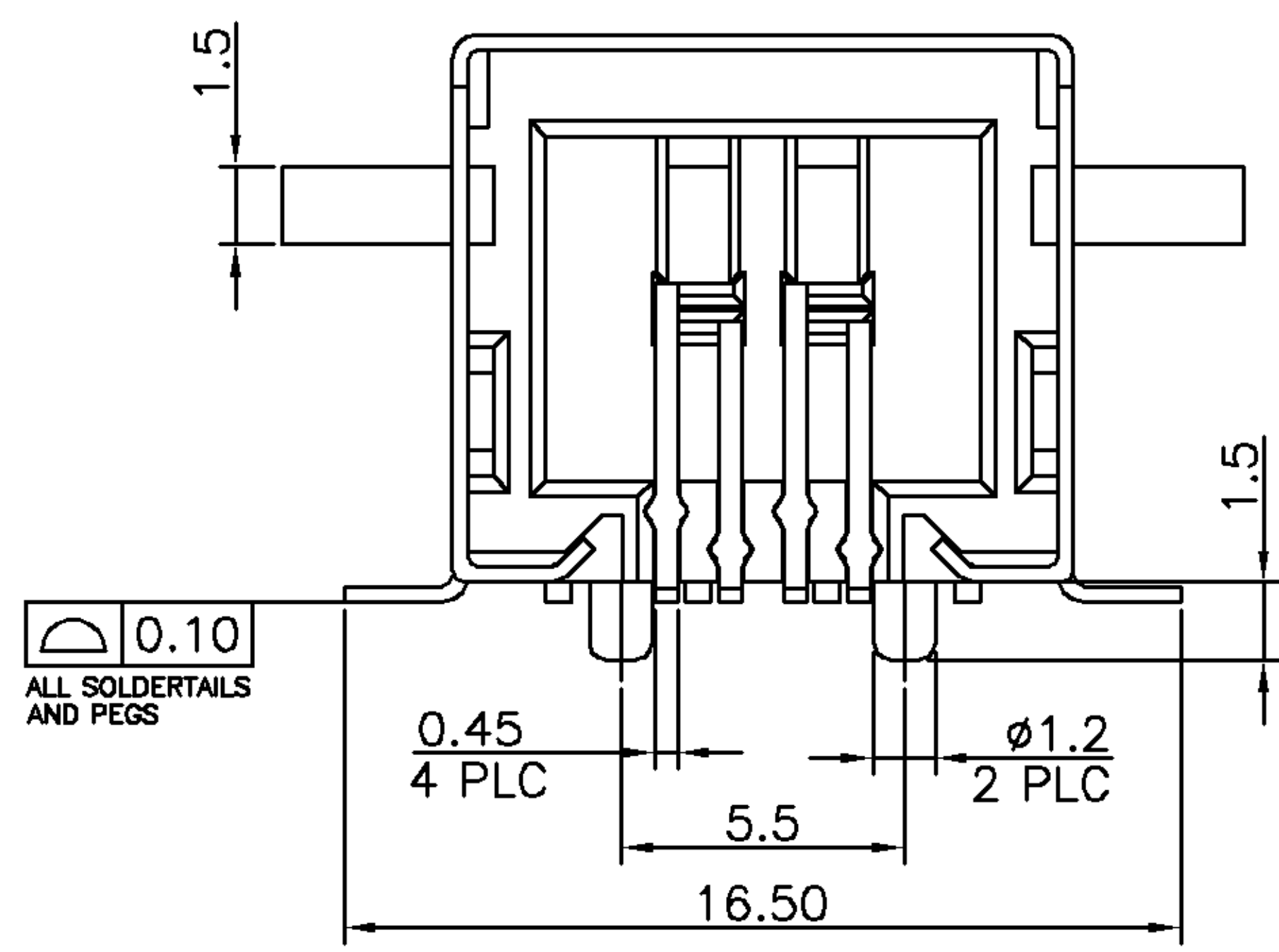
NOTE:

RoHS 2002/95/EC COMPLIANT

- MATERIAL:  
HOUSING: THERMOPLASTIC HIGH TEMPERATURE, UL 94V-0, COLOR: BLACK.  
CONTACT: PHOSPHOR BRONZE, THICKNESS=0.25mm.  
SHELL: PHOSPHOR BRONZE, THICKNESS=0.30mm.
- FINISH:  
CONTACT:  $\Delta$  GOLD FLASH IN CONTACT AREA,  
 $\Delta$  30u" MIN. GOLD PLATED IN CONTACT AREA,  
100u" MIN. TIN-Cu PLATED ON SOLDER TAILS,  
50u" MIN. NICKEL UNDERPLATED ALL OVER.  
SHELL: 30u"~ 90u" NICKEL PLATED OVER ALL.
- PANEL THICKNESS OF 2.67 mm MAXIMUM IF RECEPTACLE CONNECTOR IS MOUNTED BEHIND A PANEL.
- REFLOW SOLDER CAPABLE TO 245°C PER TYCO SPEC 109-201, CONDITION A.



RECOMMENDED PCB LAYOUT(TOLERANCE: ±0.05)



$\Delta$	WHITE	1775010-4
$\Delta$	BLACK	1775010-3
$\Delta$	WHITE	1775010-2
$\Delta$	BLACK	1775010-1
FINISH	HSG. COLOR	PART NUMBER

TOLERANCES UNLESS OTHERWISE SPECIFIED: 0 PLC ± 0.38 1 PLC ± 0.25 2 PLC ± 0.13 3 PLC ± 0.05 ANGLES ±	DWN	O. HU	<b>tyco</b> TYCO HOLDINGS (BERMUDA) <b>Electronics</b> VII LTD. TAIWAN BRANCH NAME RECEPTACLE ASS'Y., R/A, SMT TYPE B, 4 POS., USB		
		25-APR-2005			
MATERIAL  SEE NOTE	APVD	W.J. KE	LOC SIZE DRAWING NO REV DW <b>A</b> <sub>3</sub> C-1775010 A		
		25-APR-2005			
FINISH  SEE NOTE	QUALIFICATION TEST REPORT 501-57618		SCALE		SHEET 1 OF 2
	WEIGHT		---		

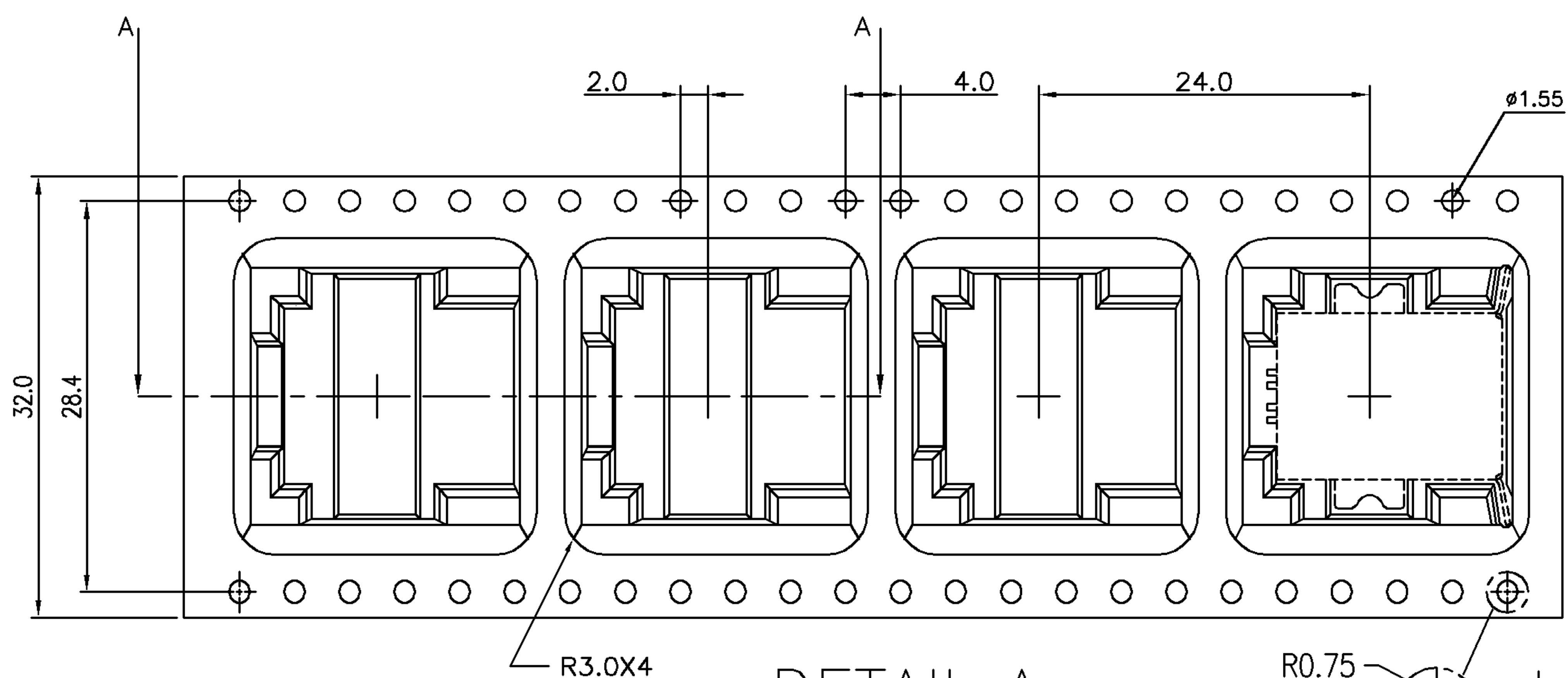
A	CHANGE PLATING SPEC	ECR-05-014060	OH SH	28OCT 2005
O	FIRST RELEASED		OH SH	25APR 2005
LTR	REVISION RECORD	ECN	DWN CHK	DATE

THIS INFORMATION IS CONFIDENTIAL AND IS DISCLOSED TO YOU ON CONDITION THAT NO FURTHER DISCLOSURE IS MADE BY YOU TO OTHER THAN AMP PERSONNEL WITHOUT WRITTEN AUTHORIZATION FROM AMP (TAIWAN) LTD. DIMENSIONS IN MILLIMETERS. DO NOT SCALE PRINT.

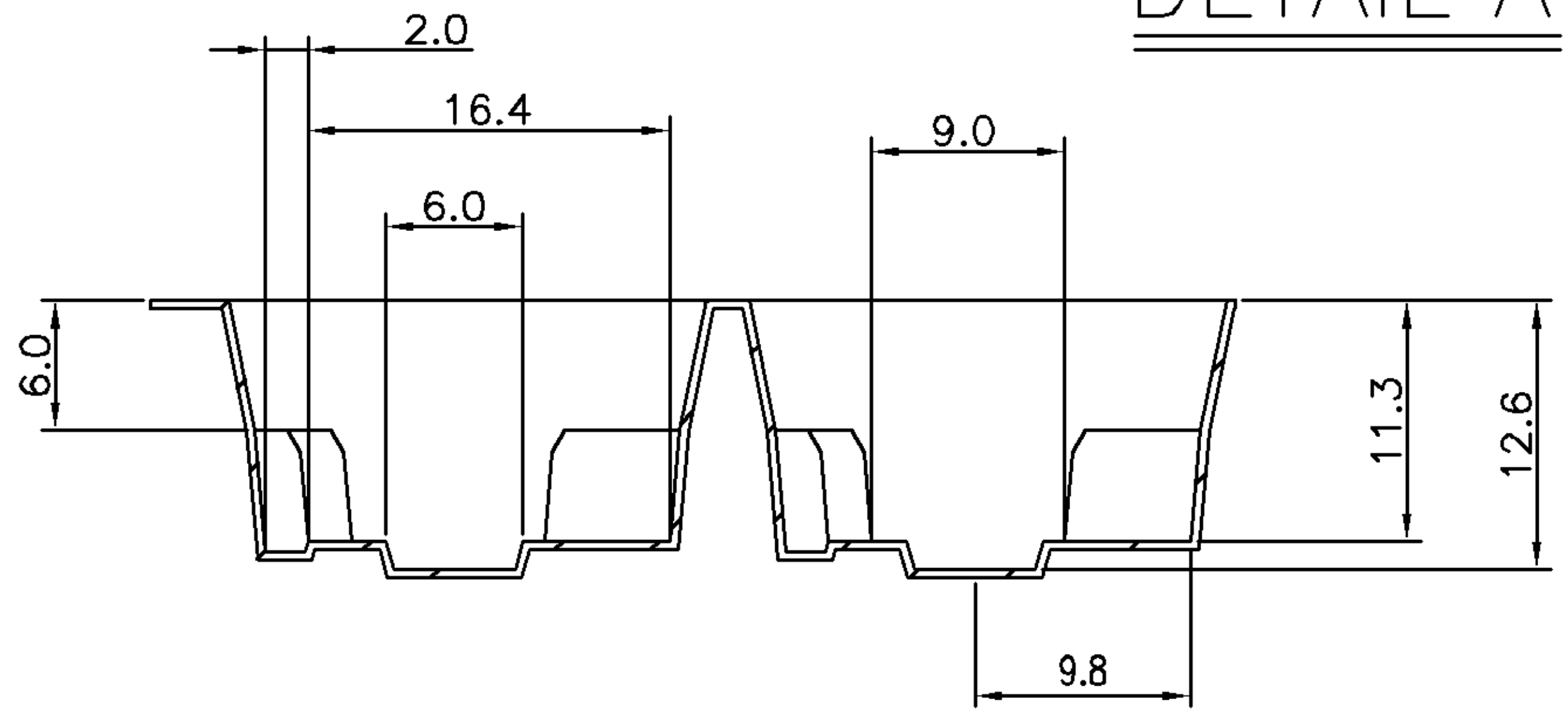
PRINT DIST  
DW

THIS INFORMATION IS CONFIDENTIAL AND IS DISCLOSED TO YOU ON CONDITION THAT NO FURTHER DISCLOSURE IS MADE BY YOU TO OTHER THAN AMP PERSONNEL WITHOUT WRITTEN AUTHORIZATION FROM AMP (TAIWAN) LTD. DIMENSIONS IN MILLIMETERS. DO NOT SCALE PRINT.

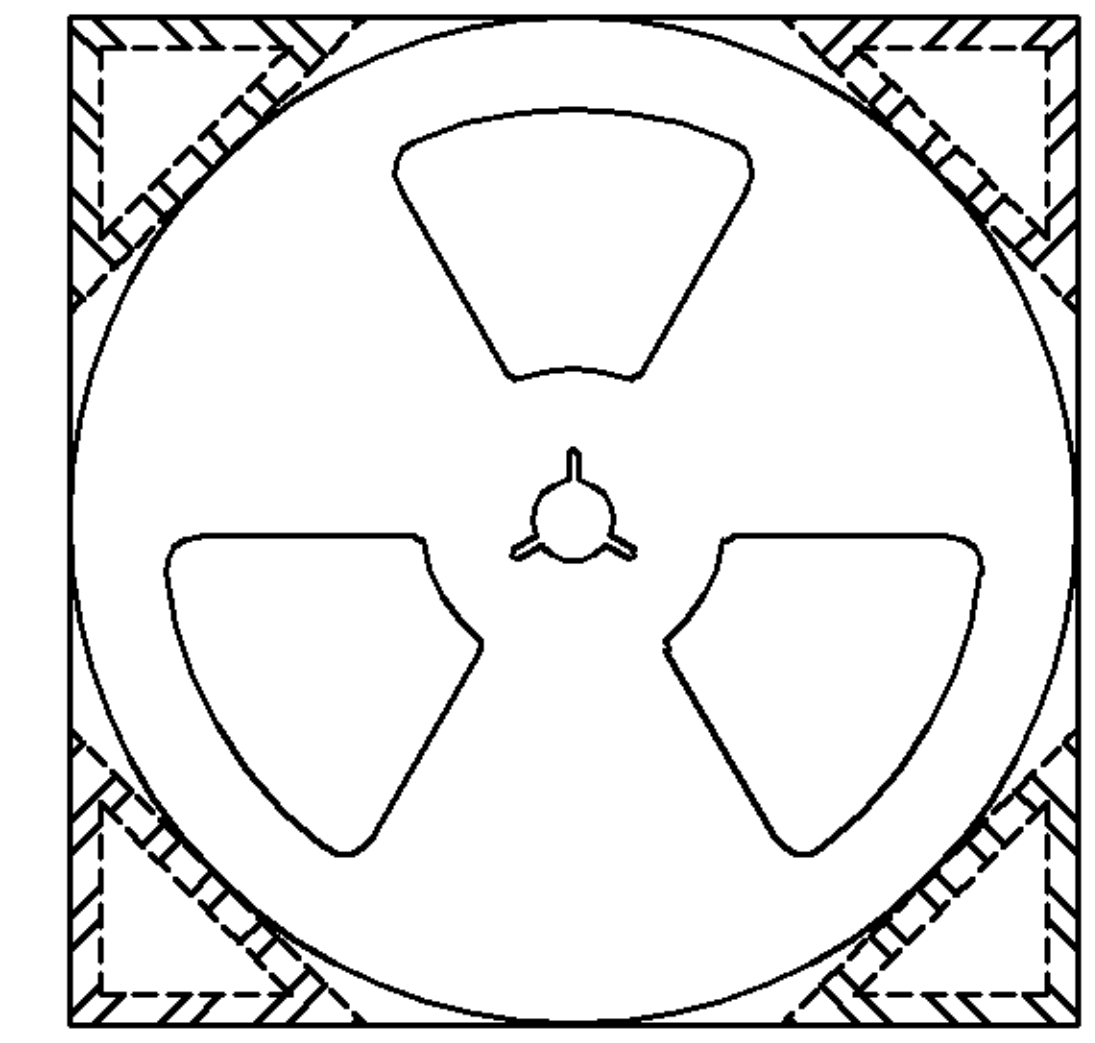
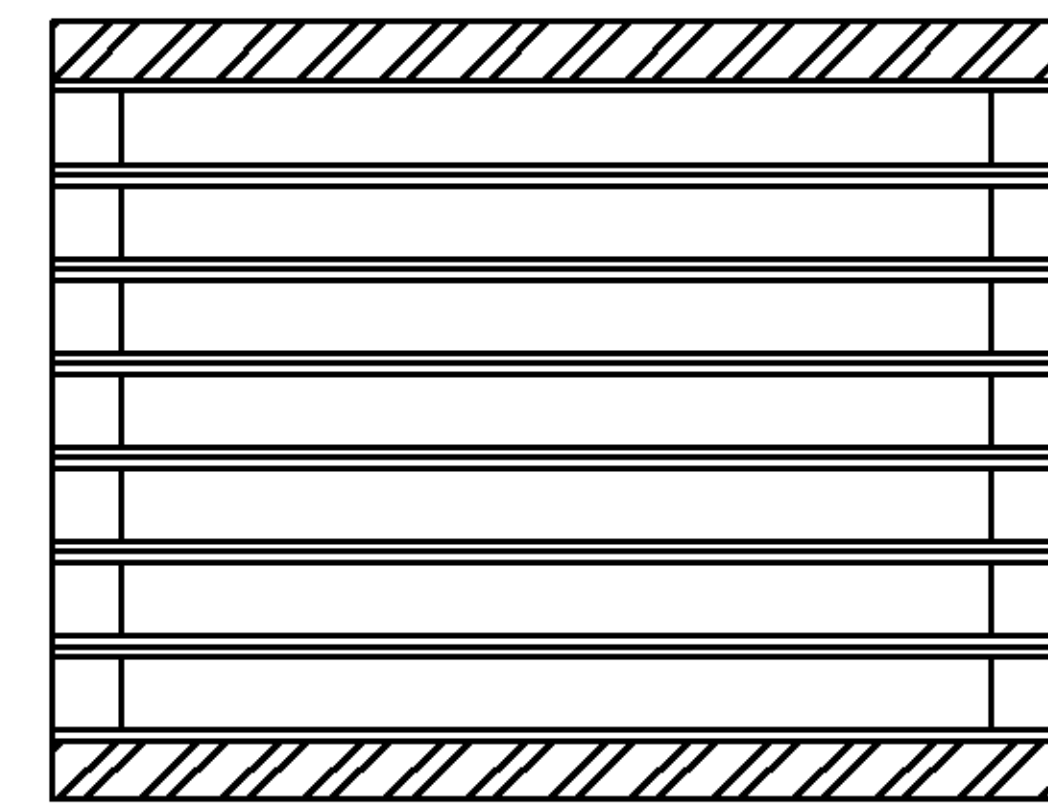
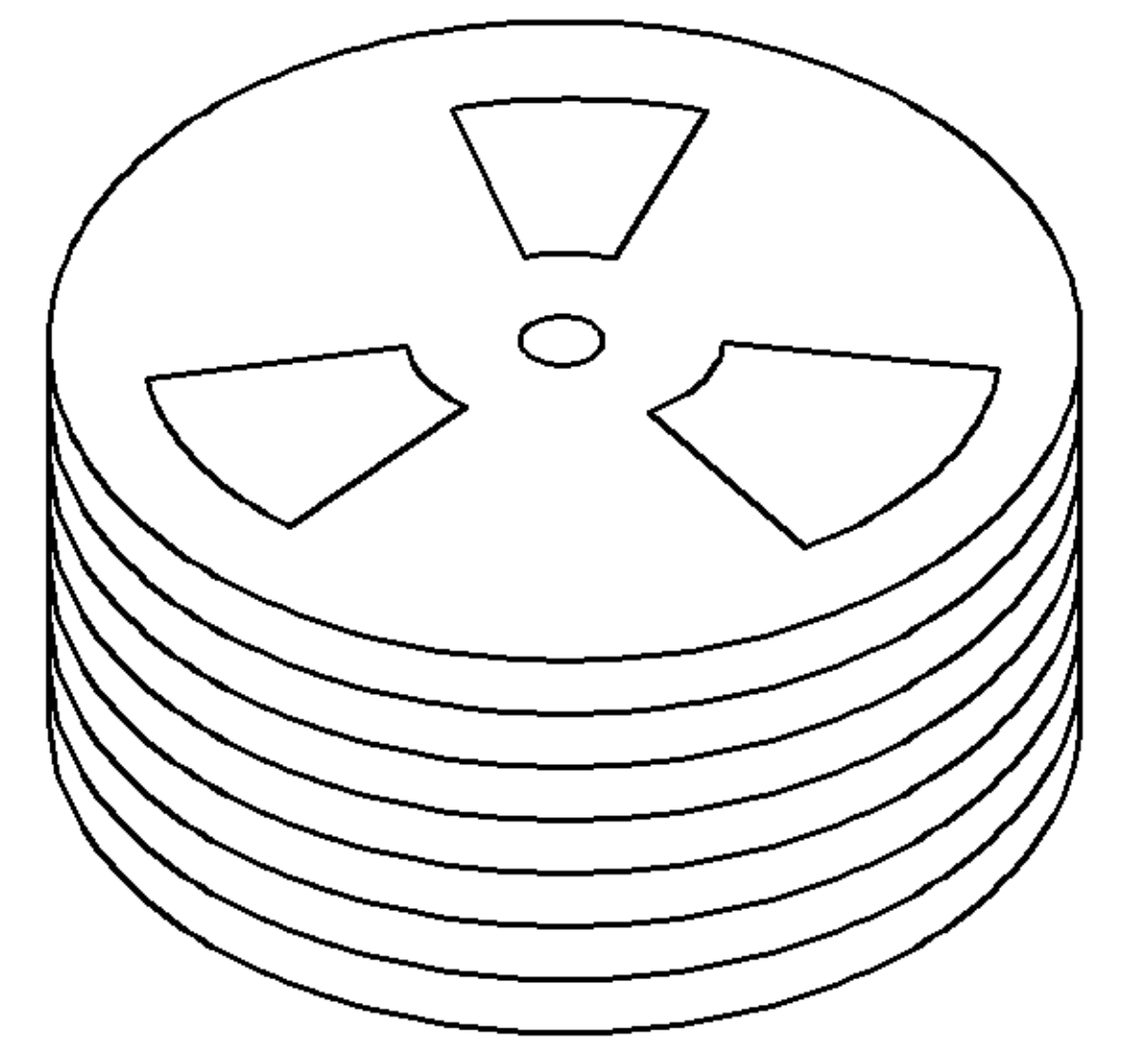
NUMBER C-1775010  
3RD ANGLE PROJECTION  
METRIC



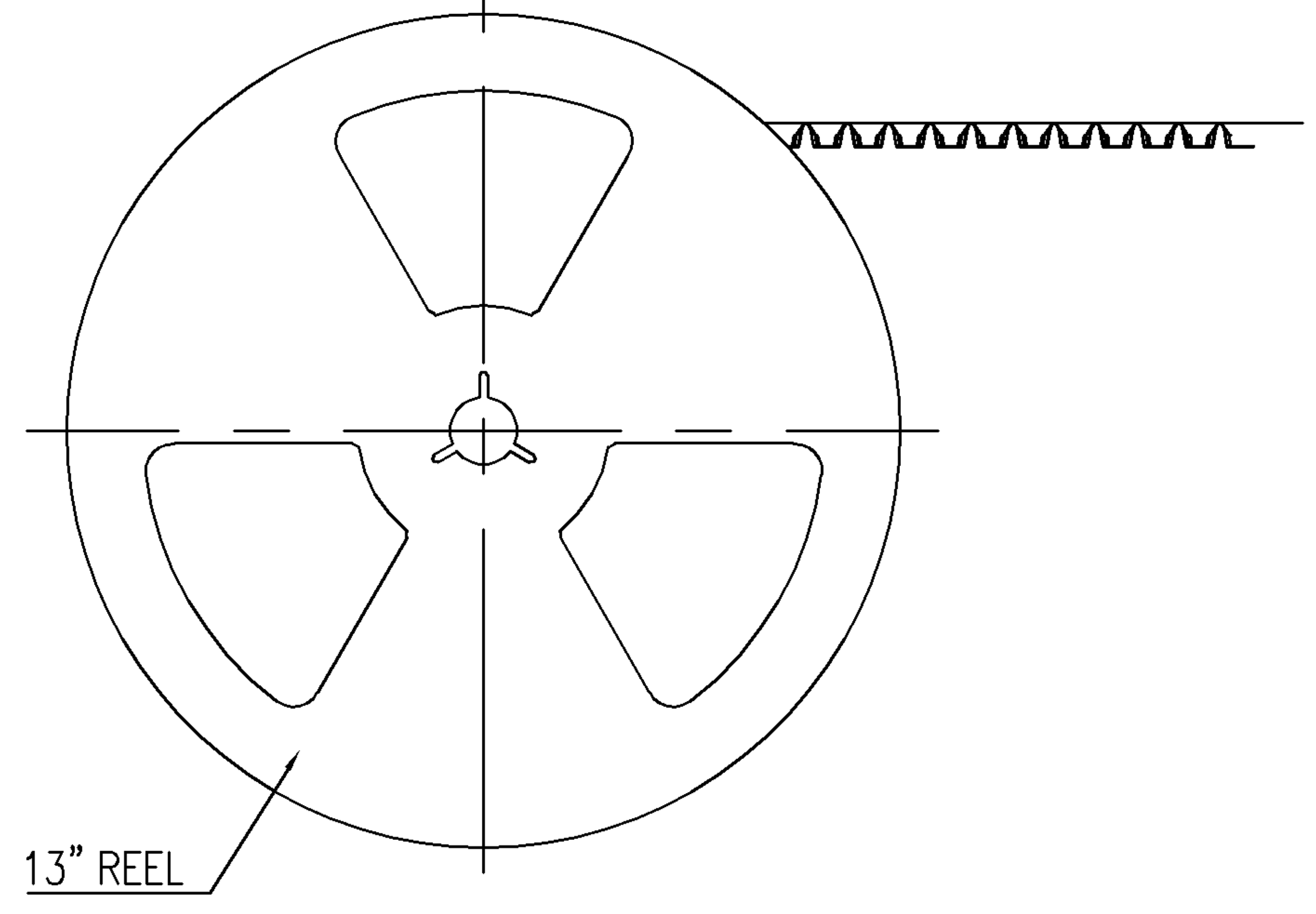
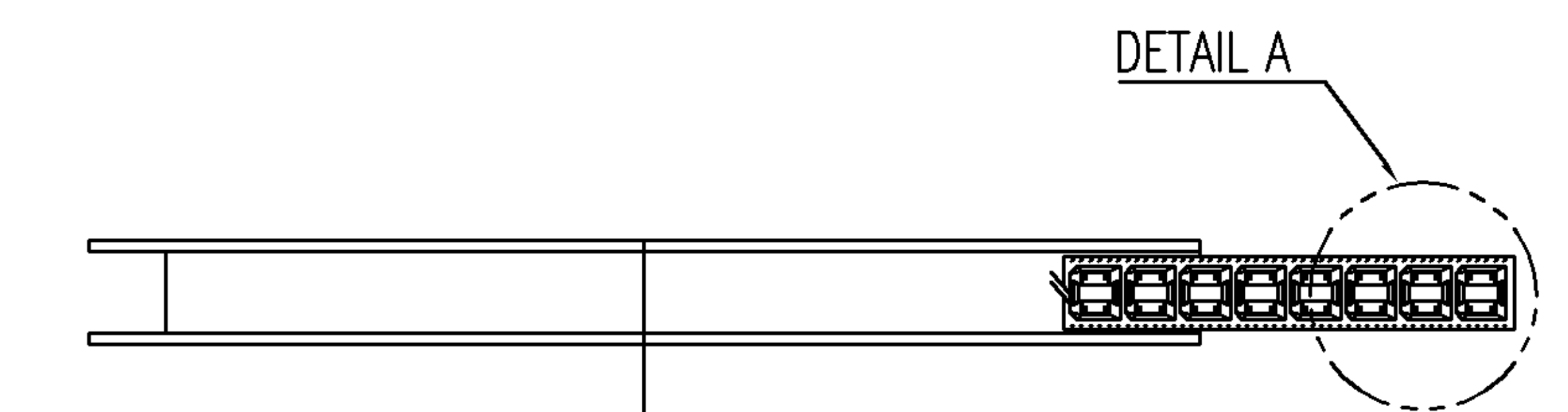
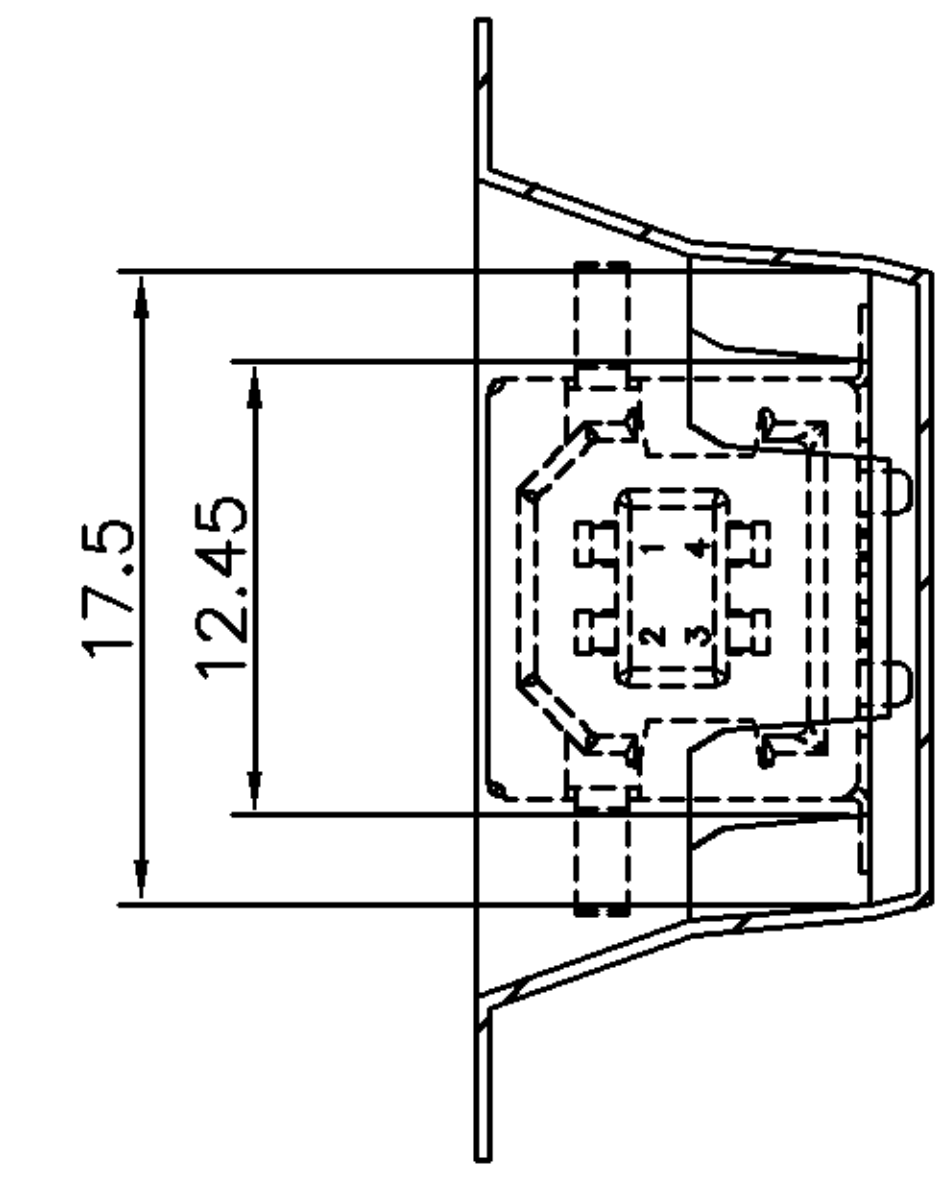
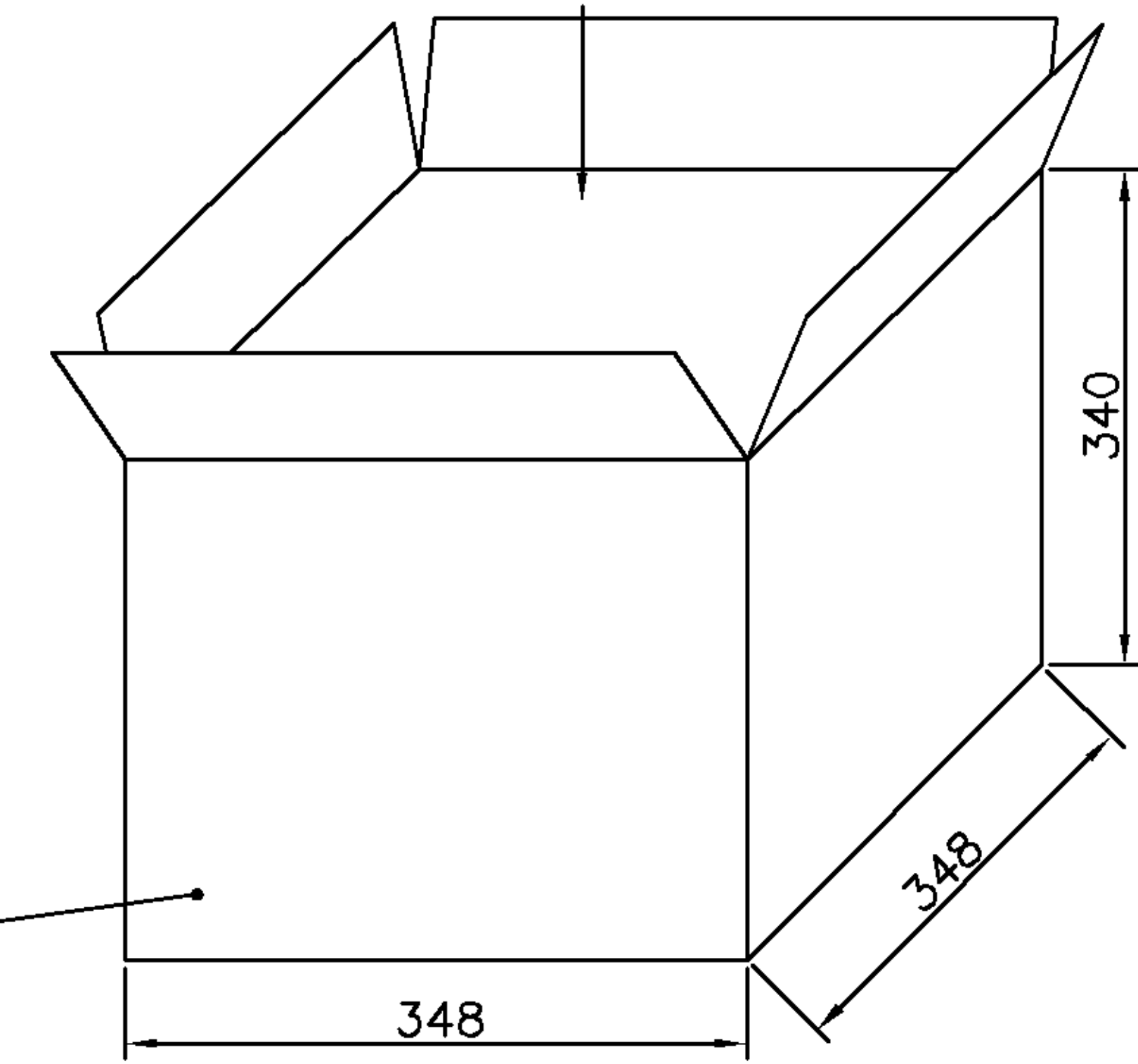
DETAIL A



SECTION A-A



PACKING BOX



NOTES:

1. APPLICABLE DOCUMENT : EIA-481-3
2. PACKAGE: 200 PCS/REEL , 8 REEL/BOX  
(W.G. : 10.5Kg, N.G. : 9.5Kg)
3. 1 DESICCANT/PACKAGE, 1 REEL/PACKAGE
4. USE THE TAPE TO FIX THE PACKAGE

TOLERANCES UNLESS OTHERWISE SPECIFIED: 0 PLC ± 0.5 1 PLC ± 0.2 2 PLC ± 0.1 3 PLC ± 0.05 ANGLES ± 3'	DWN	O. HU	<b>tyco</b> <b>Electronics</b>	TYCO HOLDINGS (BERMUDA)		
	CHK	S. HOU		VII LTD. TAIWAN BRANCH		
MATERIAL	APVD	W.J. KE	RECEPTACLE ASS'Y., R/A, SMT TYPE B, 4 POS., USB			
SEE NOTE	PRODUCT SPECIFICATION	25-APR-2005				
FINISH	QUALIFICATION TEST REPORT	-	LOC	SIZE	DRAWING NO	REV
SEE NOTE	WEIGHT	-	DW	A <sub>3</sub>	C-1775010	A
			SCALE	SHEET		
			--	2 OF 2		

LTR	SEE SHEET 1.	ECN	DWN	CHK	DATE
	REVISION RECORD				